



Ekär 3

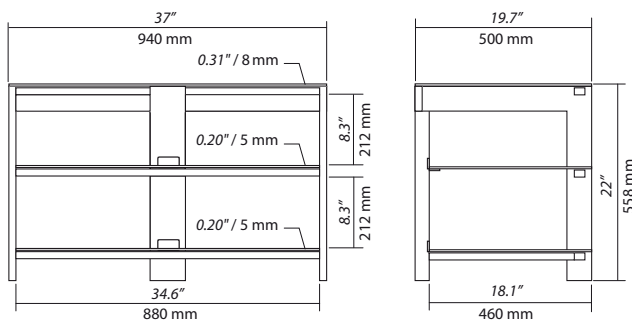
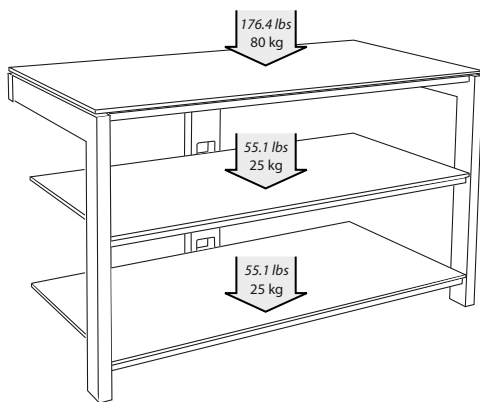
Perfectly versatile and compact, Ekär 3 is a very sturdy AV furniture designed to hold a complete Home Theater system (including electronic devices, a center speaker and even a video display: TV set, plasma or LCD TV up to 176.4 lbs / 80 kg).



In the same range:
Ekär 4



SPECIFICATIONS



DESIGN

Finish: Silver/Frosted

Structure: Silver powder coated steel

Shelves: Frosted tempered glass

Miscellaneous: Cable management system

MAXIMUM LOAD

Upper shelf: 176.4 lbs / 80 kg

Internal shelves: 55.1 lbs / 25 kg

USABLE DIMENSIONS

Overall dimensions (W x H x D):

37" x 22" x 19.7" / 940 x 558 x 500 mm

Upper shelf (W x D): 37" x 19.7" / 940 x 500 mm

Internal shelves (W x D): 34.6" x 18.1" / 880 x 460 mm

Height between shelves: 8.3" / 212 mm

PACKAGING

Delivered disassembled with screws kit, mounting instructions and tools

Quantity/box: 1

Type: Brown cardboard

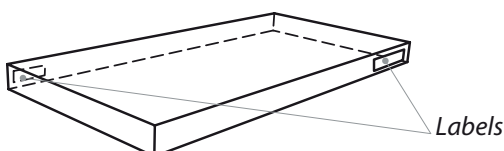
Dimensions (W x H x D):

40.6" x 5.1" x 24.4" / 1030 x 130 x 620 mm

Gross weight: 80.7 lbs / 36,6 kg

Net weight: 4.7 lbs / 33,9 kg

GenCode: 3760108801189



Labels